

°LAUDA



OVERALL BROCHURE CONSTANT TEMPERATURE EQUIPMENT 2024/2025

°FAHRENHEIT. °CELSIUS. °LAUDA.

LAUDA DEEP-FREEZERS

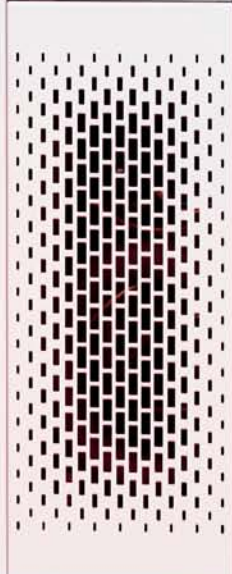


Specific application examples

- Secure storage of organic substances, vaccines or reference strains of microorganisms
- Cold storage of enzymes and test kits in laboratories and hospitals
- Storage in pharmaceutical and chemical facilities
- Storage in pharmaceutical logistics centers



LAUDA



Deep freezers

Shakers

Stills

Digital products

Accessories, Service

LAUDA Mobifreeze

The world's first mobile, battery-powered, ultra-low-temperature chest freezer: Four hours of battery life at -80°C

-86°C  -50°C

Mobile, battery-powered and precisely temperature-controlled: LAUDA Mobifreeze

Welcome to the world of professional cooling. Ultra-freezers from LAUDA guarantee safe and reliable deep-freezing. The mobile ultra-low-temperature chest freezer with active temperature control ensures that the cold chain is reliably maintained in intralogistics and for inter-factory transport in road logistics, without the risks and costs associated with dry ice. Thanks to excellent insulating properties, the ultra-low-temperature chest freezer is the perfect solution for transporting delicate and temperature-sensitive materials. Many extremely sensitive samples not only have to be stored under validated conditions, but also have to be transported under identical conditions. Our ultra-deep-freeze chest freezer guarantees mobile, low-temperature transport.



Temperature-controlled transport: the mobile, ultra-low-temperature chest freezer simplifies the management of your cold chain



The control panel with a brilliant 4.3-inch touchscreen offers easy operation and optimal readability



Simple and secure transport for sensitive and valuable substances under validated transport conditions

Important functions

- Hybrid use – mobile and stationary
- Intuitive operation via touchscreen, password-protected user management
- Simple and secure maneuverability using two swiveling heavy-duty casters, ergonomic handles and a dead man's brake, as well as ram and impact protection
- Battery life of up to four hours, built-in data logger

Standard equipment

4.3-inch touchscreen, battery with increased anti-flammability (lithium iron phosphate), fully stainless steel, rust-free interior, high-quality vacuum insulation (VIP)

Further accessories

A000146 Factory certificate, A001383 External data logger, A000147 Calibration of external data logger

All technical data and power supply variants can be found in the ›Technical data‹ section.

More at www.lauda.de/de/1810



LAUDA Mobifreeze

The LAUDA Mobifreeze mobile ultra-low-temperature chest freezer is the logistics solution for the transport of temperature-sensitive samples – entirely without dry ice. The temperature is freely adjustable between -50 and -86°C under the validated storage conditions of identical temperature stability. Controlled transport conditions guarantee seamless integration of the cold chain.



LAUDA Versafreeze

Freezing down to -86°C

with LAUDA freezer cabinets and chest freezers



Tailor-made solutions for long-term and secure storage

Vaccines, organic substances and valuable samples that need to be stored at low temperatures are irreplaceable. Only the highest-quality deep-freezers guarantee long-term stability and availability in these challenging conditions. Based on decades of experience and technical development, LAUDA has optimized its Versafreeze deep-freezers for the extreme conditions of ultra deep-freeze storage and set new standards.



High-performance operating unit with password-protected user management



Storage system/plug-in units: flexible loading options for optimum utilization of the usable volume



Insulation (from right to left):
Interior with stainless steel walls, tightly
meshed evaporator, thermal film, vacuum
panels, impermeable foam, appliance front

Powerful insulation technology with high-quality materials

Important functions

- Intuitive operation via touch screen, integrated data logger, password-protected access rights
- The multi-layered high-performance vacuum insulation protects against loss of coldness and minimizes the energy consumption of continuous operation
- Options: CO_2 or LN_2 safety cooling system, water cooling, set of drawers for freezer cabinets, factory certificate

Included accessories

Two feedthroughs $\varnothing 13$ mm, for incorporating additional control or alarm sensors, Ethernet RJ45 connection

Further accessories

Storage system/plug-in units, boxes, grid segmentations, external data logger

All technical data and power supply variants can be found in the ›Technical data‹ section.

More at www.lauda.de/de/1790



LAUDA Versafreeze

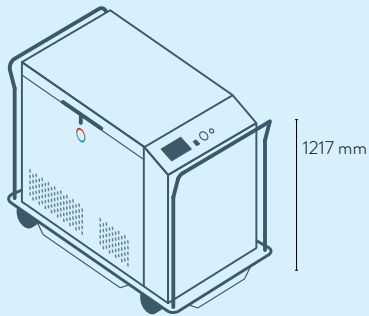
LAUDA Versafreeze appliances offer the greatest possible security for your samples, even in a power cut, thanks to long defrosting times. The integrated accumulator is a standard feature and ensures that the display and alarm functions are maintained for a period of up to 35 hours.



LAUDA Deep-freezers

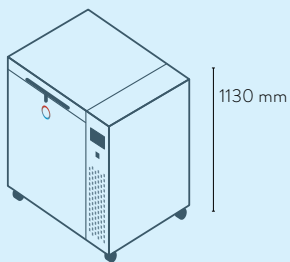
Device type overview

LAUDA Mobifreeze / Page 140

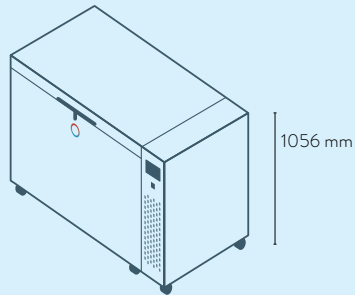


M 270

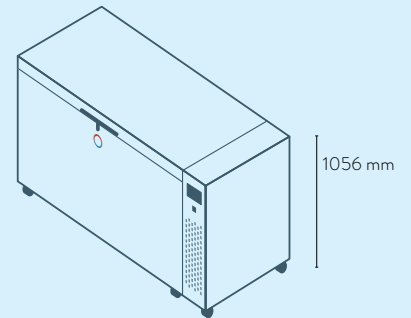
LAUDA Versafreeze Chest freezers / Page 142



VF 20040
VF 20085

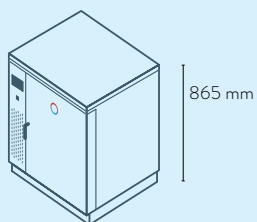


VF 55040
VF 55085

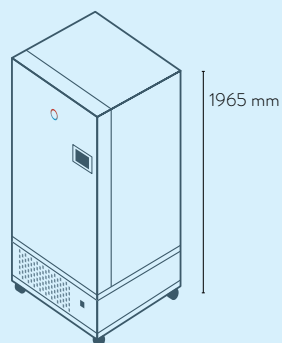


VF 75040
VF 75085

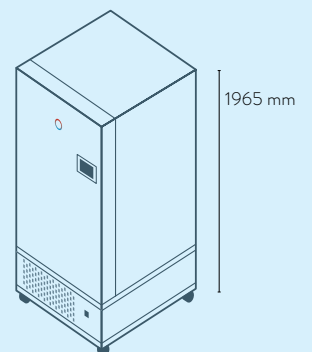
LAUDA Versafreeze Upright freezers / Page 142



VF 15040
VF 15085



VF 60040
VF 60085



VF 70040
VF 70085

LAUDA Deep-freezers

Technical data

Device type	Usable volume L	Temperature range	Cooling time to -80 °C / -40 °C h (without load)	Warm-up time -80 °C / -40 °C to 0 °C h (without load)	Interior dimensions (W x D x H) mm	External dimensions (W x D x H) mm	Net weight kg	Capacity 50 mm cryoboxes	Part number
LAUDA Mobifreeze / Page 140									
M 270	270	-86 ... -50 °C	3	10	900×600×500	1471×933×1217	325	-	L003678*
LAUDA Versafreeze Chest freezers / Page 142									
VF 20040 C	205	-40 ... 0 °C	3	6	790×520×500	960×790×1130	188	135	L003335*
VF 55040 C	556	-40 ... 0 °C	4	10	1180×620×760	1671×910×1056	260	416	L003336*
VF 75040 C	754	-40 ... 0 °C	5	10	1600×620×760	2102×910×1056	310	572	L003337*
VF 20085 C	205	-86 ... -50 °C	3	11	790×520×500	960×790×1130	210	135	L003338*
VF 55085 C	556	-86 ... -50 °C	4	19	1180×620×760	1671×910×1056	280	416	L003339*
VF 75085 C	754	-86 ... -50 °C	5	19	1600×620×760	2102×910×1056	332	572	L003340*
LAUDA Versafreeze Upright freezers / Page 142									
VF 15040	129	-40 ... 0 °C	5	12	480×480×560	904×776×865/837*	128	81	L003341*
VF 60040	583	-40 ... 0 °C	6	17	738×600×1320	980×1029×1965	334	420	L003342*
VF 70040	731	-40 ... 0 °C	7	13	738×750×1320	980×1179×1965	345	525	L003343*
VF 15085	129	-86 ... -50 °C	5	18	480×480×560	904×776×865/837*	162	81	L003344*
VF 60085	583	-86 ... -50 °C	6	27	738×600×1320	980×1029×1965	356	420	L003345*
VF 70085	731	-86 ... -50 °C	7	25	738×750×1320	980×1179×1965	370	525	L003346*

Power supply: 230 V; 50 Hz; Electrical connection: CEE7/7 angled, (EU, Schuko)

Other voltage and plug variants available.

* Height after removing the cover plate

* Utilises natural refrigerants

